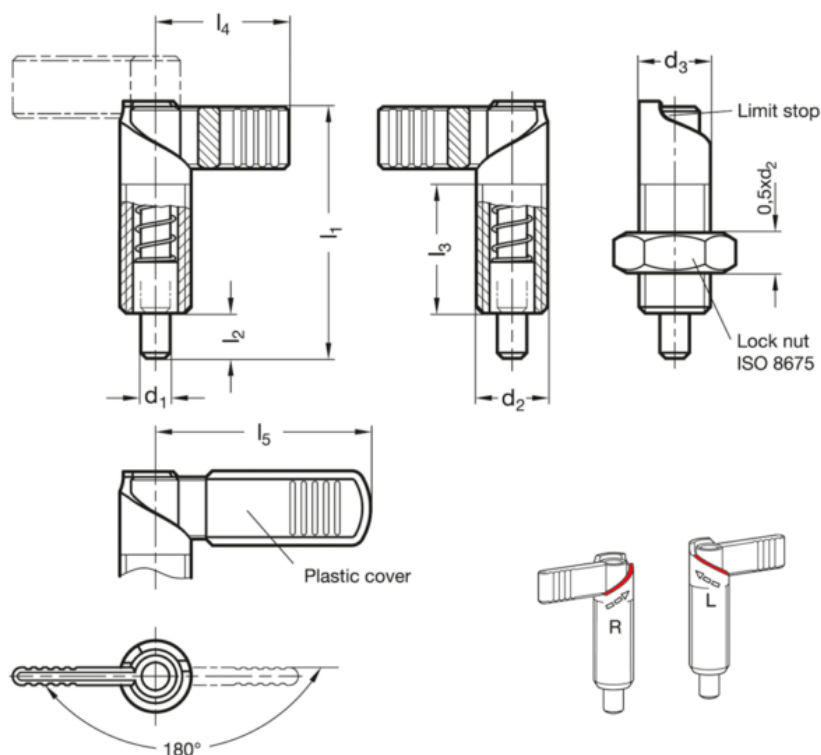


Article number: 20721510M2015RB  
 Description: E+G indexing plunger  
 GN 721.5-10-M20x1,5-RB

## Measures



d1	= 10	l4	= 37
d2	= M20x1.5	l5	= 52
d3	= 20	Weight in (g) = 132	
fjedbund	= 21		
fjedtop	= 57		
l1	= 69		
l2	= 12		
l3	= 37		